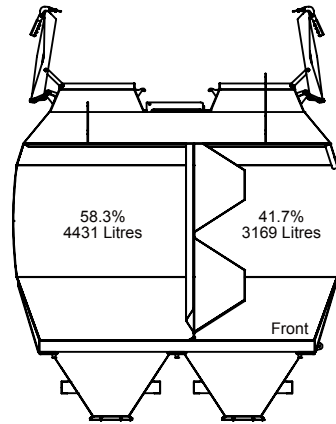
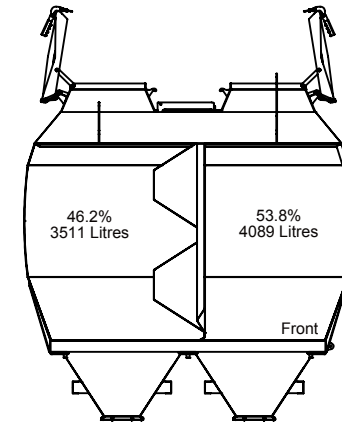


Split 1



Split 2



Split 3

# 8000 Double Bin

Total Usage Volume Given  
a 25 Degree Angle of Repose is:  
**7600 Litres**

**Fabrication Note**

Finish:

**General Tolerances**

Linear Dimensions  
 X ±1mm (whole numbers)  
 X.X ±0.5mm (one decimal place)  
 X.XX ±0.25mm (two decimal places)  
Angular Dimensions  
 All Angles ±0.5°

This drawing is the property of  
Simplicity (Australia) Pty. Ltd.  
It must not be used for any  
purpose other than that for  
which it is supplied.  
Reproduction in whole or  
part is prohibited without  
written authority from  
Simplicity (Australia) Pty. Ltd.

DRN: JW  
 DATE: 13/08/2007  
 APPRD:  
 DATE: / /  
 SCALE: 1:50



<b>SIMPLICITY (AUSTRALIA) PTY LTD</b>	
18 LOUDOUN RD DALBY 4405 PH (07) 4660 6000 Engineering FAX (07) 4660 6050	
<b>Simplicity Airseeder Bin Splits 8000 Double Bin Splits</b>	
DRAWING NUMBER <b>8000 Double Bin Splits</b>	REV <b>07</b>
SHEET 1 OF 1	<b>A4</b>